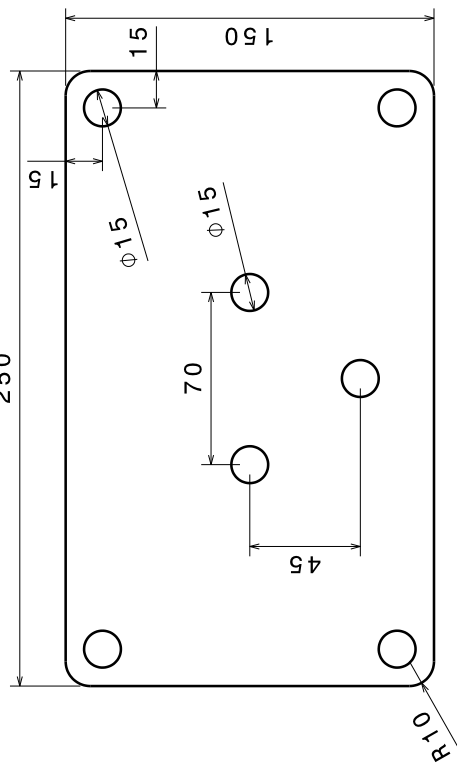
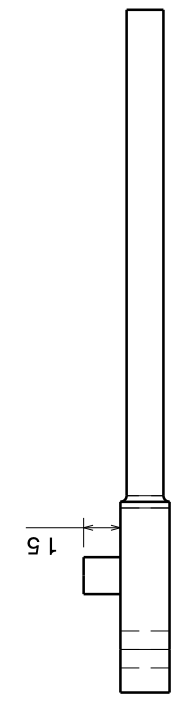


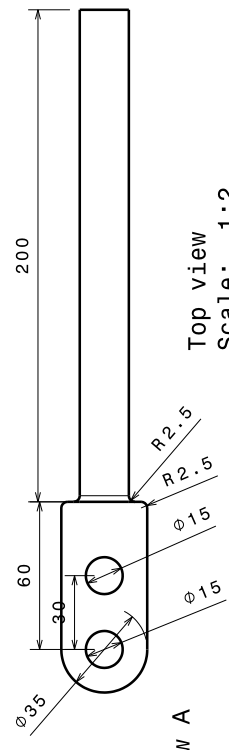
Front view
Scale: 1:2



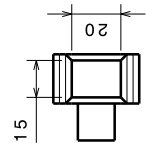
Top view
Scale: 1:2



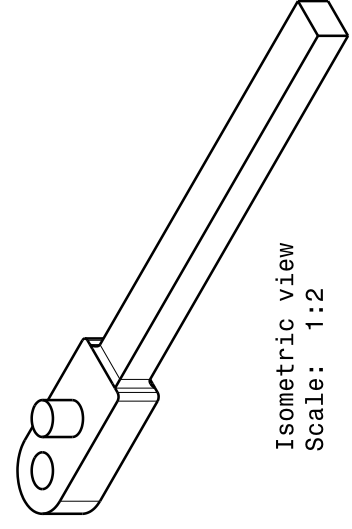
Front view
Scale: 1:2



Top view
Scale: 1:2



Auxiliary view A
Scale: 1:2



Isometric view
Scale: 1:2

WWW.CADDESIGNS.IN

This drawing is our property.
It can't be reproduced
or communicated without
our written agreement.



DRAWN BY KURUVA SATHEESH		DATE 19-06-2021		DRAWING TITLE DESIGN OF CHAIN BENDER	
CHECKED BY XXX		DATE XXX		DRAWING NUMBER CDCAT26	
DESIGNED BY XXX		DATE XXX		SCALE 1:2	
		WEIGHT (kg) 0.97		SHEET 1/2	

Isometric view
Scale: 1:2

