

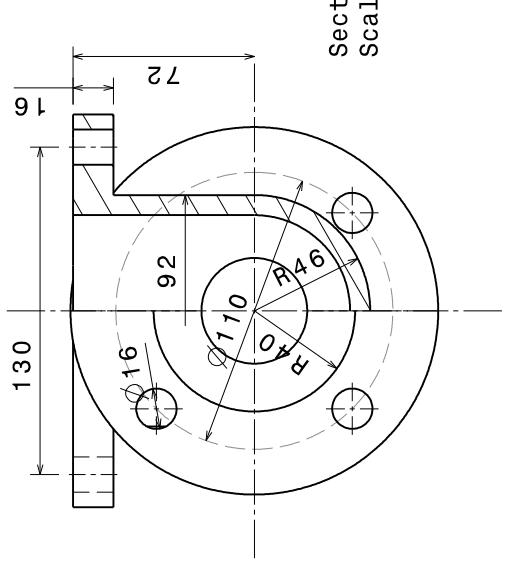
H G F E D C B A

4

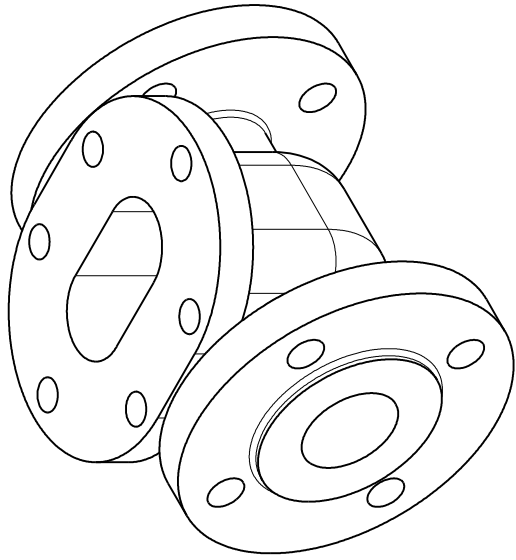
3

2

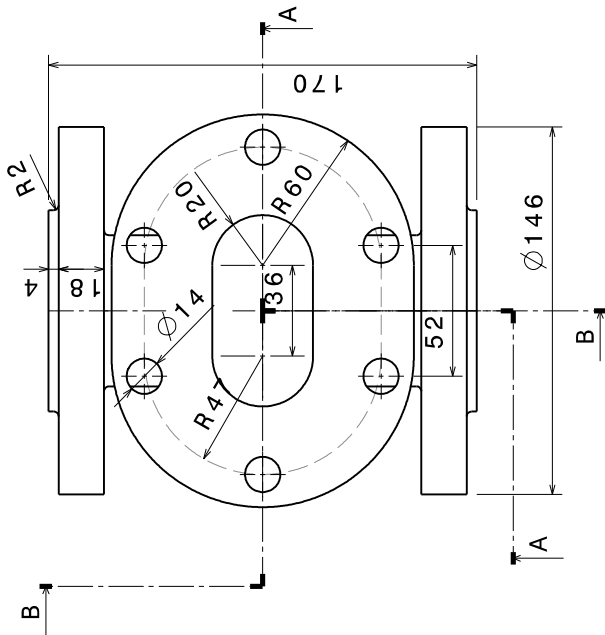
1



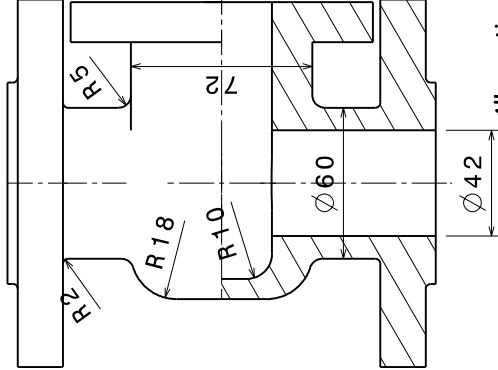
Section view A-A
Scale: 1:2



Isometric view
Scale: 1:2



Front view
Scale: 1:2



Section view B-B
Scale: 1:2

All practice drawings and video tutorials are available at WWW.CADDESIGNS.IN

DRAWING TITLE		DRAWING NUMBER		REV	SHEET	1/1
		A3		X		
DRAWN BY	DATE	CHECKED BY	DATE	DESIGNED BY	DATE	SCALE
						1:1 WEIGHT (kg) 0.00



H G F E D C B A

4

3

2

1