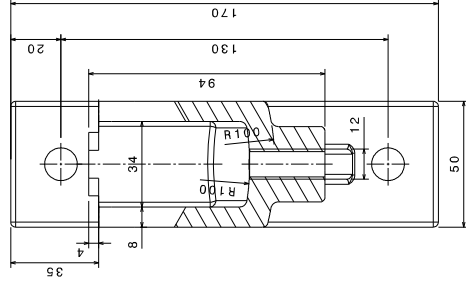
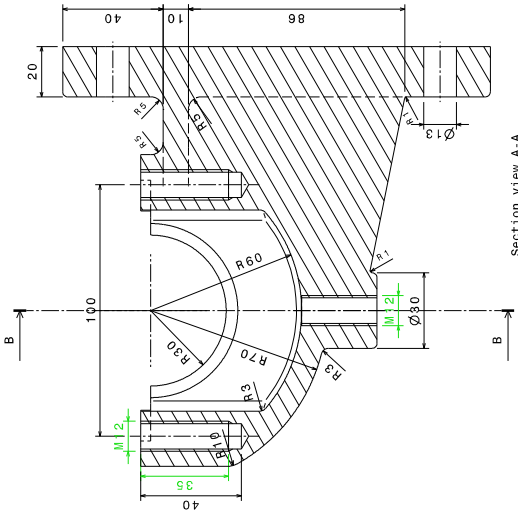
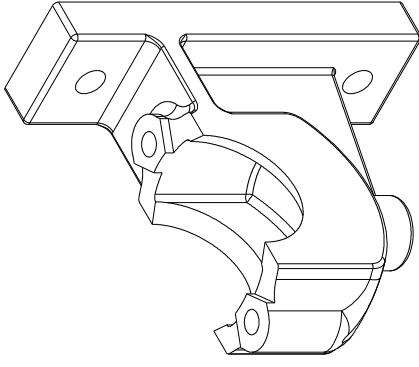


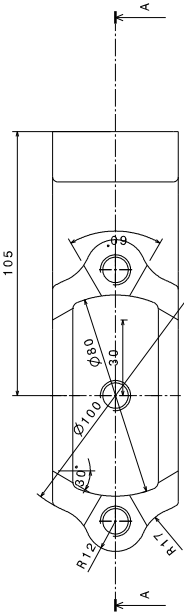
Section view B-B  
Scale: 1:1



Isometric view  
Scale: 1:1



Section view A-A  
Scale: 1:1



Front view  
Scale: 1:1

Rotunjirile necotate au razele R2

All practice drawings and video tutorials are available at  
[WWW.CADESIGNS.IN](http://WWW.CADESIGNS.IN)

DRAWING TITLE		DRAWN BY	DATE	DRAWING NUMBER		REV
		CHECKED BY	DATE	SIZE	A1	SCALE
CAD DESIGNS		DESIGNED BY	DATE	SCALE	1:1	WEIGHT (kg)
				0.00		
						1/1