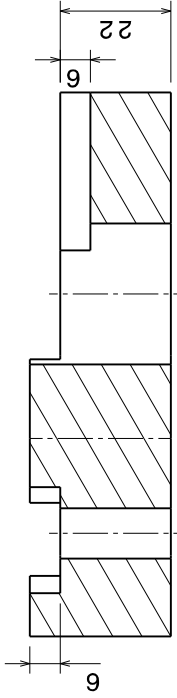
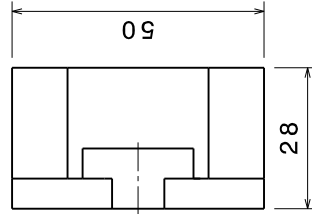
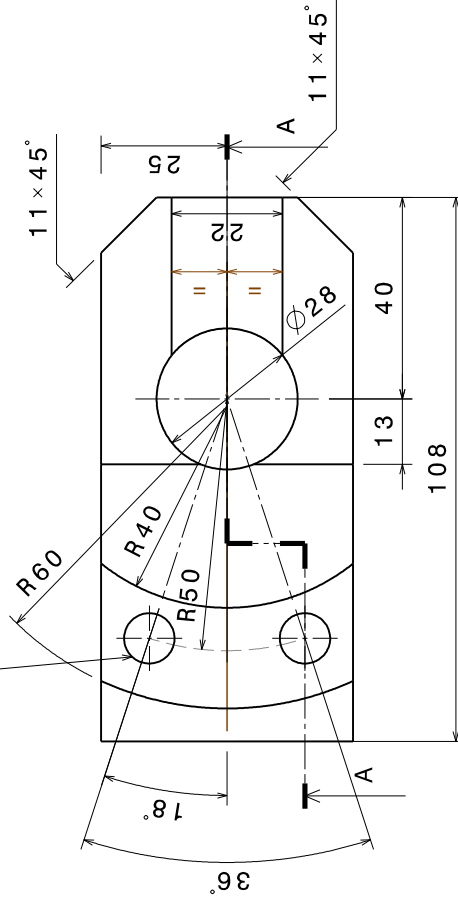


Section view A-A
Scale: 1:1



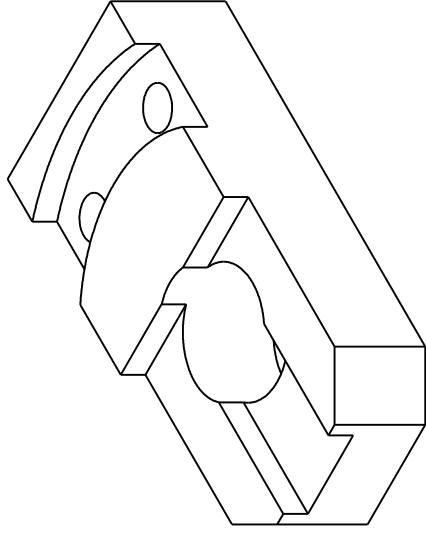
2 gauri $\phi 10$ strapunse



Right view
Scale: 1:1

Front view
Scale: 1:1

Isometric view
Scale: 1:1



All practice drawings and video tutorials are available at WWW.CADESIGNS.IN



CAD DESIGNS

DRAWING TITLE

DRAWN BY

DATE

CHECKED BY

DATE

DESIGNED BY

DATE

SIZE

DRAWING NUMBER

A3

REV

SCALE

1:1

WEIGHT (kg)

0.00

SHEET

1/1

H

G

F

E

D

C

B

A

4

3

2

1

4

3

2

1