

A B C D E F G H

8

7

6

5

4

3

2

1

8

7

6

5

4

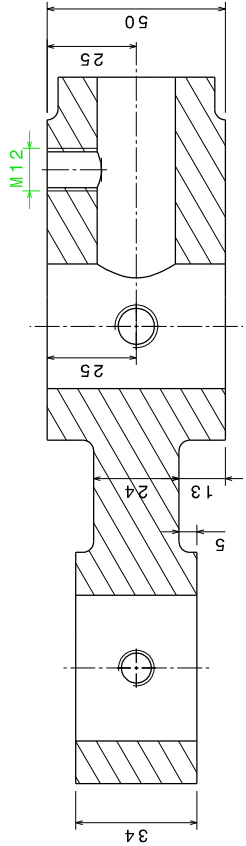
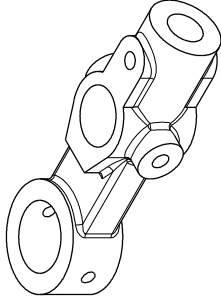
3

2

1

8

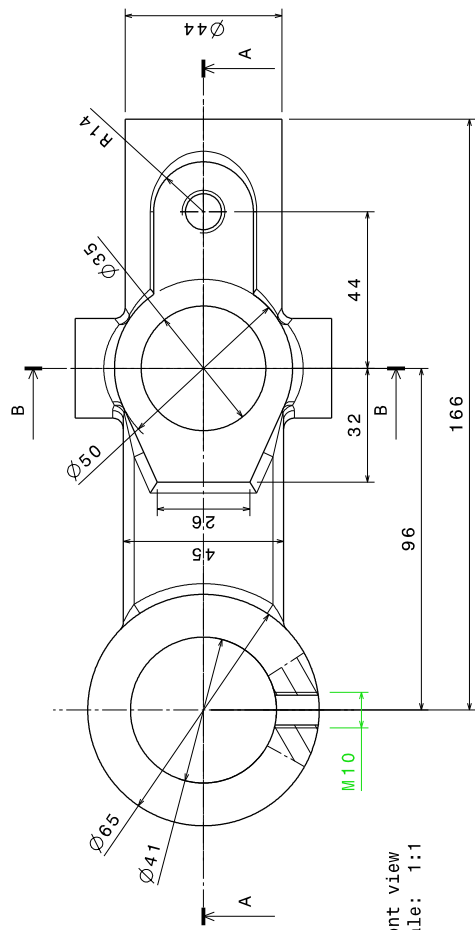
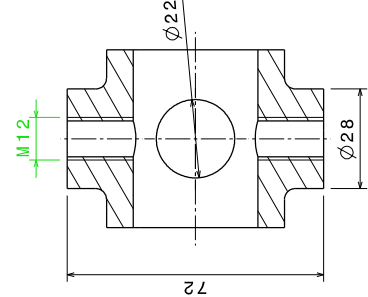
Isometric view
Scale: 1:2



Section view A-A
Scale: 1:1

All practice drawings and video tutorials are available at WWW.CADESIGNS.IN

Section view B-B
Scale: 1:1



Front view
Scale: 1:1

Racordarile sunt R3



DRAWING TITLE

DRAWN BY DATE

CHECKED BY DATE

DESIGNED BY DATE

SIZE DRAWING NUMBER REV

A2 1

SCALE 1:1 WEIGHT (kg) 0.00 SHEET 1/1

A B C D E F G H