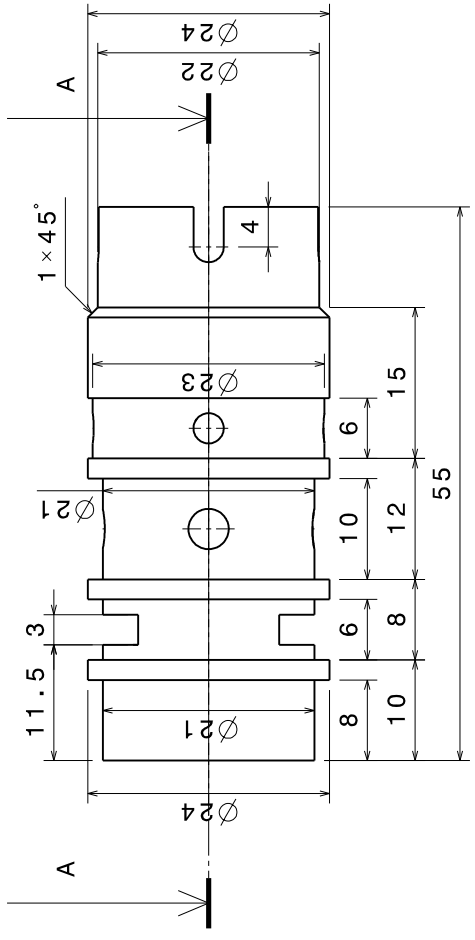
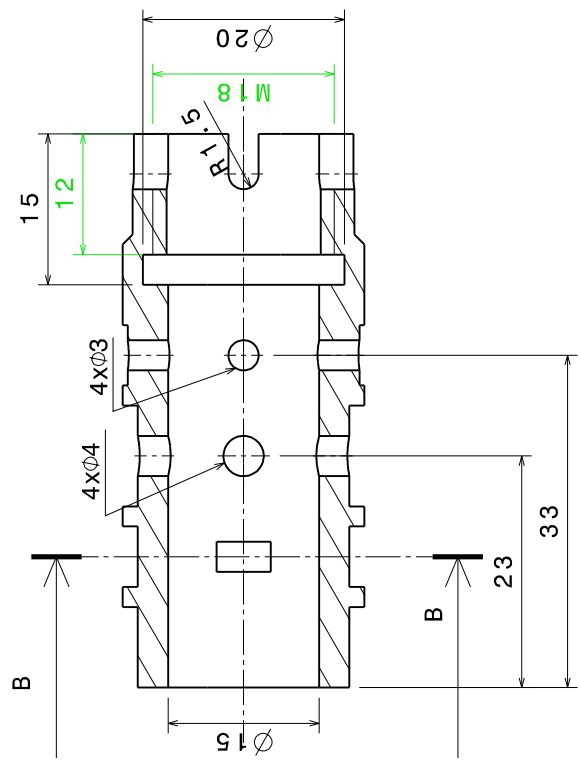


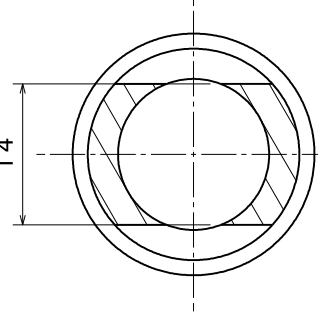
H G F E D C B A



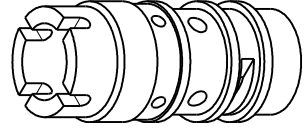
Section view A-A  
Scale: 2:1



Section view B-B  
Scale: 2:1



Front view  
Scale: 2:1



Isometric view  
Scale: 1:1

All practice drawings and video tutorials are available at [WWW.CADDESIGNS.IN](http://WWW.CADDESIGNS.IN)

DRAWN BY		DRAWING TITLE		REV	
		DATE	DRAWING NUMBER		
CHECKED BY		DATE	A3	SCALE	
DESIGNED BY		DATE	1:1	WEIGHT (kg)	0.00
				SHEET	1/1



H G F E D C B A

4

3

2

1

4

3

2

1