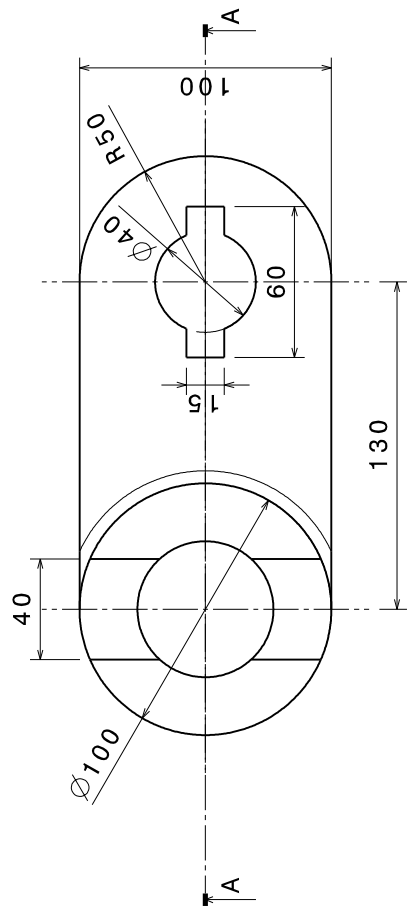
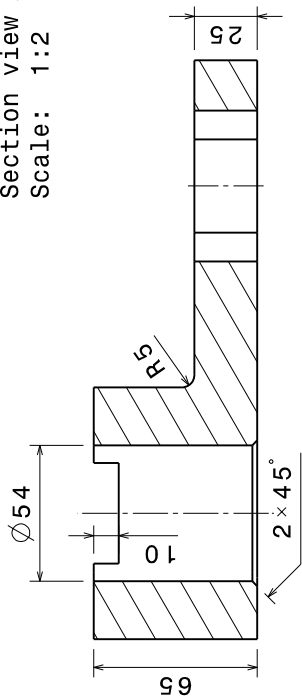
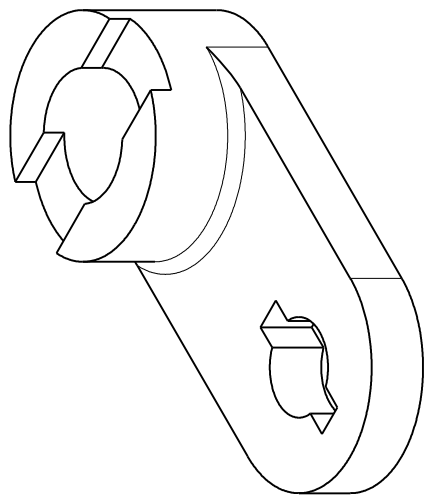


Section view A-A  
Scale: 1:2



Front view  
Scale: 1:2

Isometric view  
Scale: 1:2



All practice drawings and video tutorials are available at [WWW.CADDESIGNS.IN](http://WWW.CADDESIGNS.IN)

		DRAWING TITLE		1	
		DRAWN BY	DATE	SIZE	DRAWING NUMBER
CHECKED BY		DATE	SIZE	A3	
DESIGNED BY		DATE	SCALE	1:1	WEIGHT (kg) 0.00
			SHEET		1/1