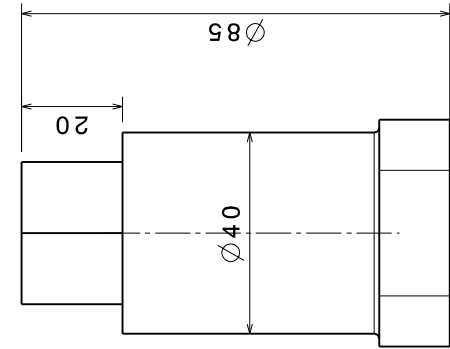
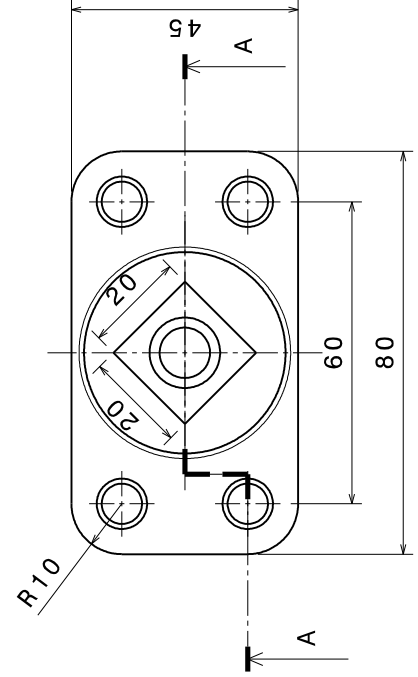
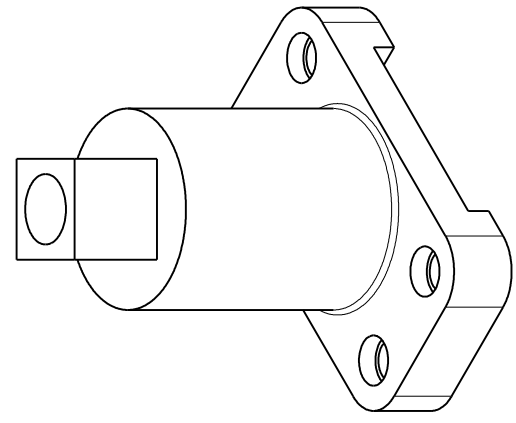


Section view A-A
Scale: 1:1




Auxiliary view B
Scale: 1:1

Isometric view
Scale: 1:1



Front view
Scale: 1:1

All practice drawings and video tutorials are available at WWW.CADDESIGNS.IN

 CAD DESIGNS		DRAWING TITLE		1	
		DRAWN BY	DATE	SIZE	DRAWING NUMBER
CHECKED BY	DATE	A3			
DESIGNED BY	DATE	SCALE	1:1	WEIGHT (kg)	0.00
				SHEET	1/1

