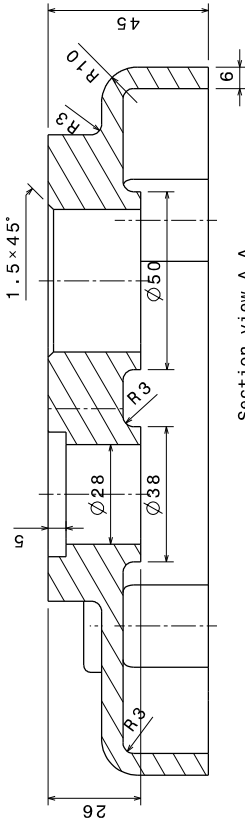
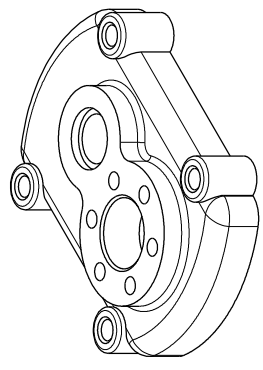


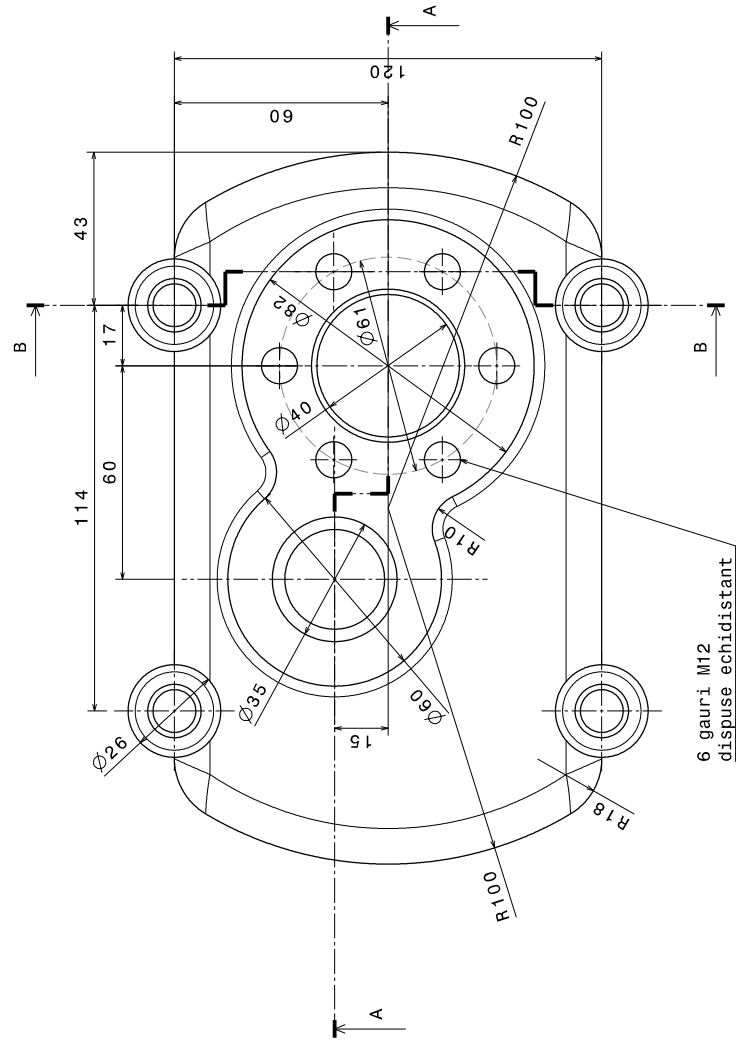
A B C D E F G H



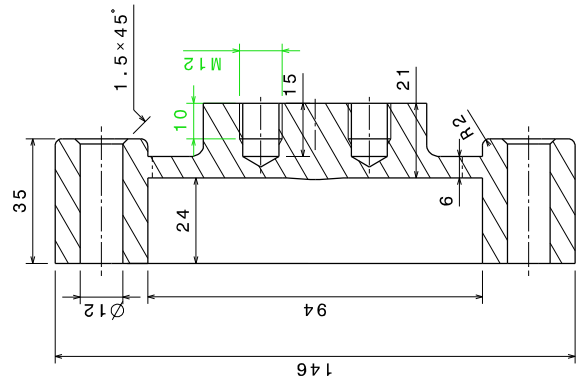
Section view A-A
Scale: 1:1



Isometric view
Scale: 1:2



Front view
Scale: 1:1



Section view B-B
Scale: 1:1

All practice drawings and video tutorials are available at WWW.CADDESIGNS.IN

DRAWING TITLE		DATE		DATE		DATE	
DRAWN BY		CHECKED BY		DESIGNED BY		SCALE	
SIZE		DRAWING NUMBER		REV		SHEET	
A2		1:1		WEIGHT (kg)		1/1	



A B C D E F G H