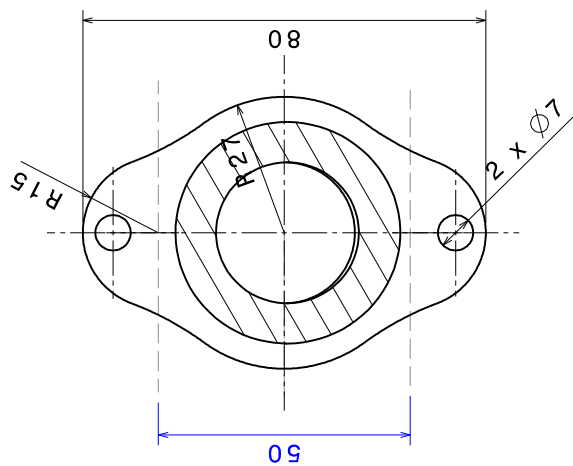
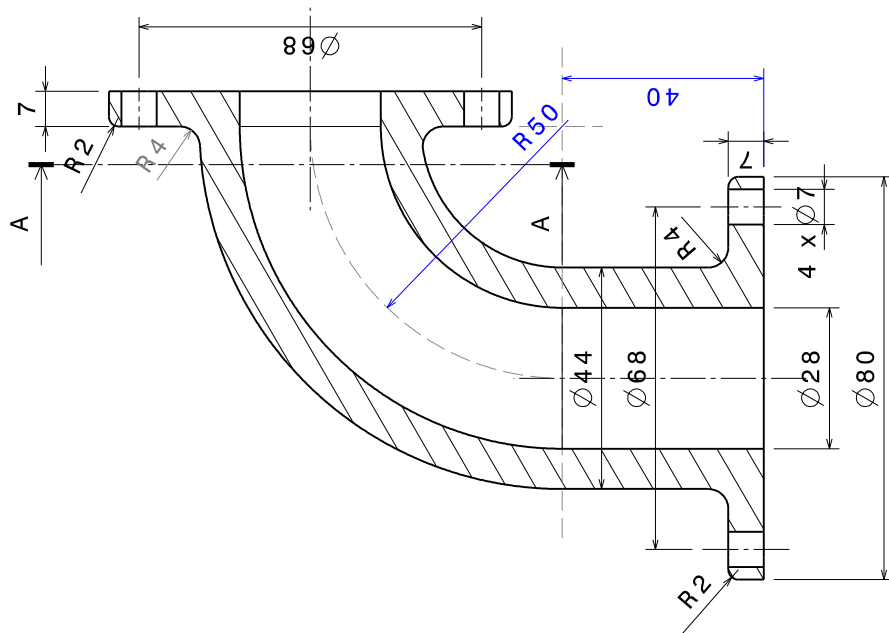


Isometric view  
Scale: 1:2




Section view A-A  
Scale: 1:1



Front view  
Scale: 1:1

All practice drawings and video tutorials are available at [WWW.CADDESIGNS.IN](http://WWW.CADDESIGNS.IN)

 <b>CAD DESIGNS</b>		DRAWING TITLE		1	
		DRAWN BY	DATE	SIZE	DRAWING NUMBER
CHECKED BY	DATE	A3			
DESIGNED BY	DATE	SCALE	1:1	WEIGHT (kg)	0.00
				SHEET	1/1

