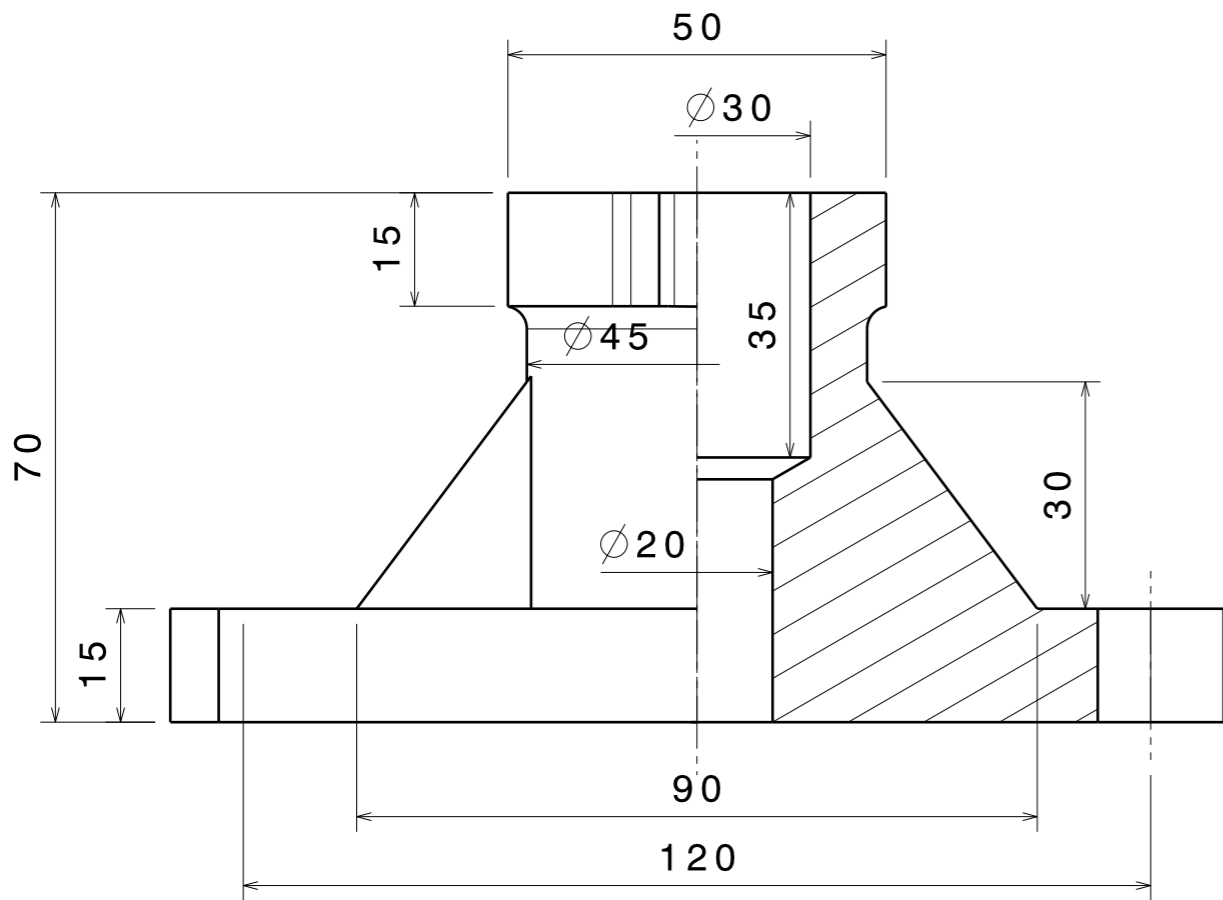
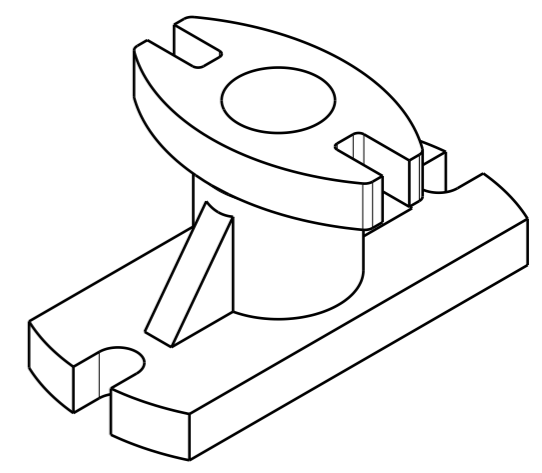


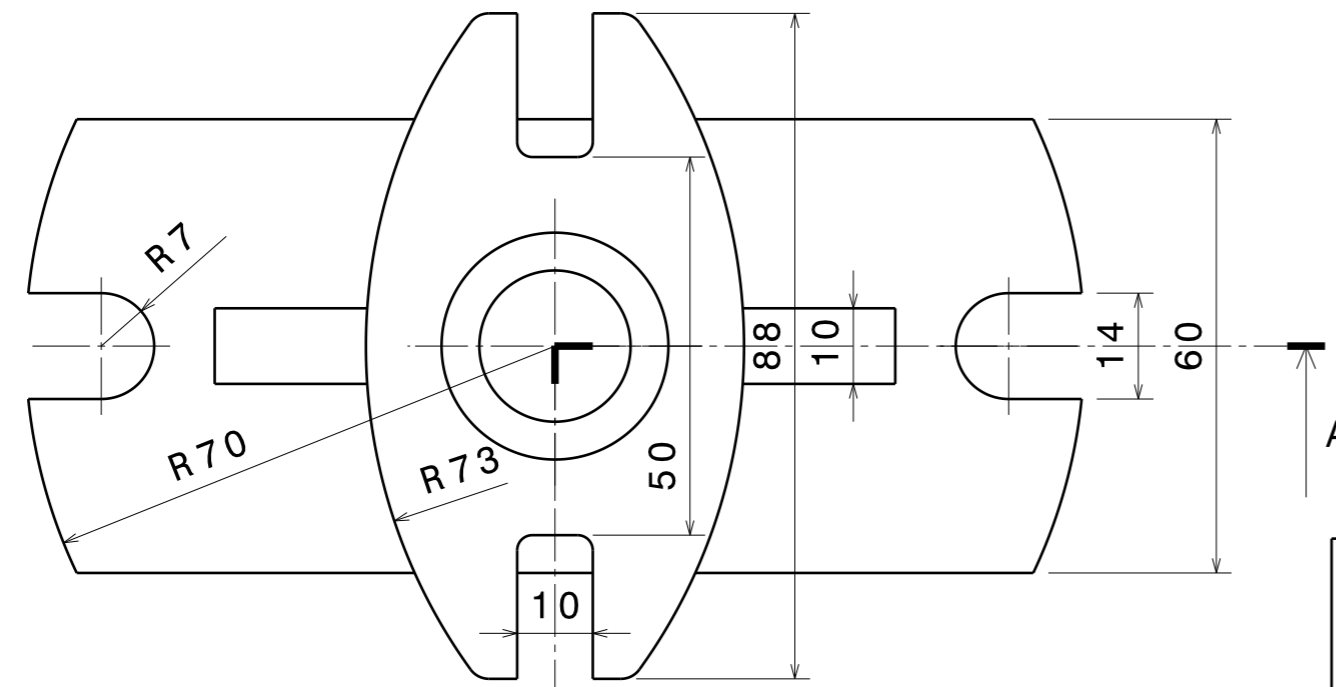
H G F E D C B A



Section view A-A
Scale: 1:1



Isometric view
Scale: 1:2



Front view
Scale: 1:1

All practice drawings and video tutorials are available at WWW.CADDESIGNS.IN



		DRAWING TITLE			
DRAWN BY	DATE	SIZE			REV
CHECKED BY	DATE	DRAWING NUMBER			
DESIGNED BY	DATE	A3			
		SCALE	1:1	WEIGHT (kg)	0.00
		SHEET		1/1	

H G B A