

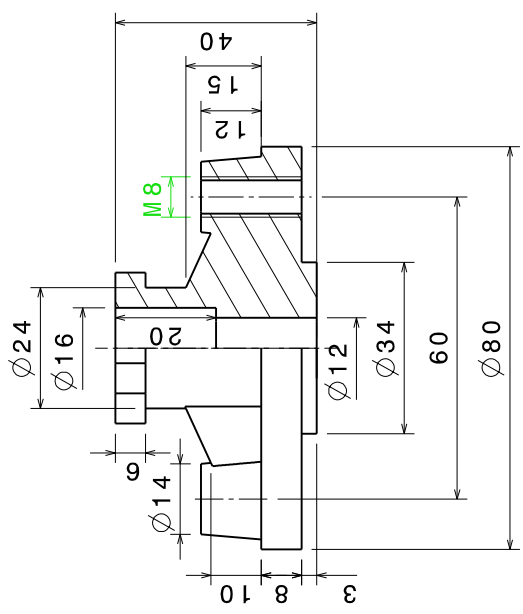
A B C D E F G H

4

3

2

1

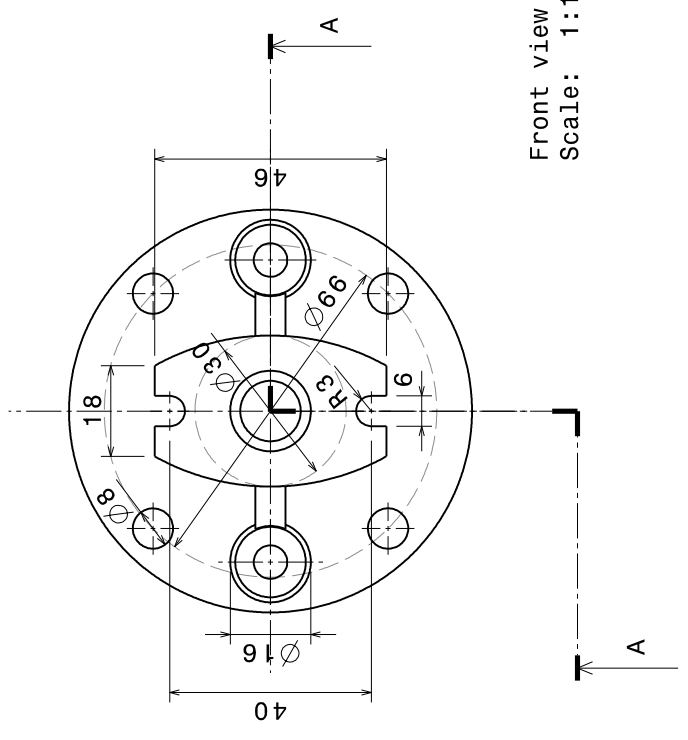
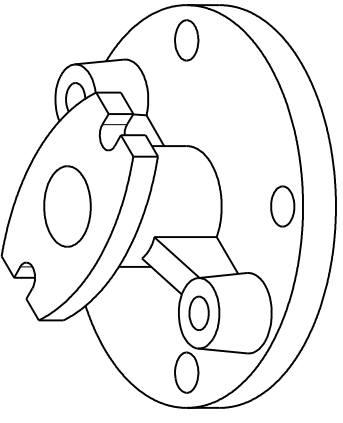


4

3

2

1



All practice drawings and video tutorials are available at [WWW.CADESIGNS.IN](http://WWW.CADESIGNS.IN)

		DRAWING TITLE		REV							
		DRAWN BY	DATE	CHECKED BY	DATE	DESIGNED BY	DATE				
SIZE		DRAWING NUMBER		SCALE		WEIGHT (kg)		SHEET		1/1	
A3		0.00		1:1		0.00		1/1		1/1	

A B C D E F G H