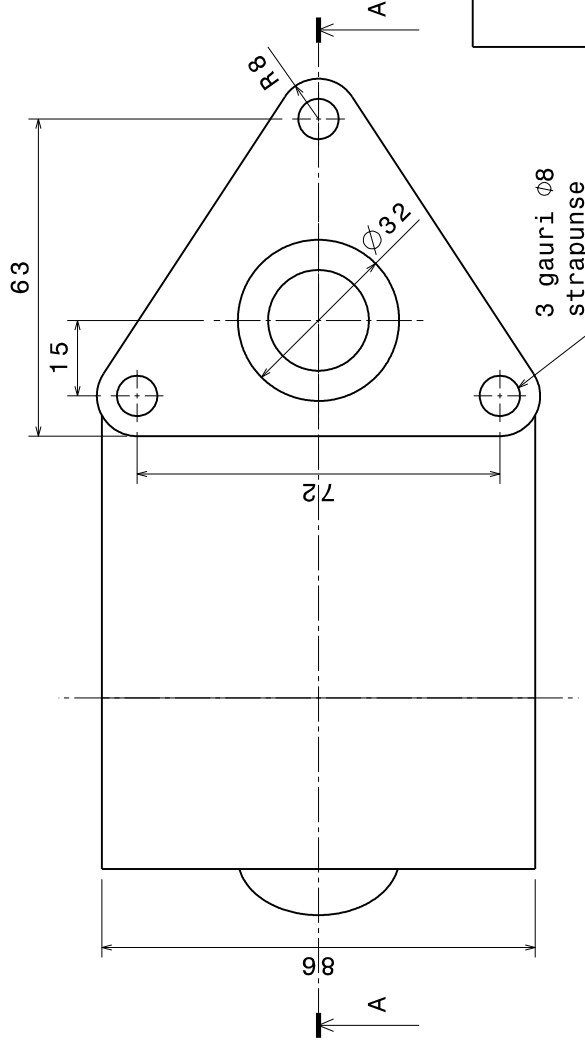
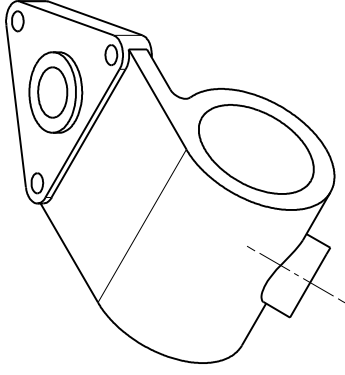


Section view A-A  
Scale: 1:1

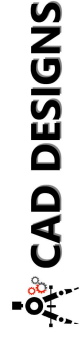


Front view  
Scale: 1:1



Isometric view  
Scale: 1:2

All practice drawings and video tutorials are available at [WWW.CADDESIGNS.IN](http://WWW.CADDESIGNS.IN)



DRAWING TITLE

DRAWN BY

DATE

CHECKED BY

DATE

DESIGNED BY

DATE

SIZE  
A3

DRAWING NUMBER

REV

SCALE 1:1

WEIGHT (kg) 0.00

SHEET 1/1

A

B

G

H

4

3

2

1

4

3

2

1

A

B

C

D

E

F

G

H