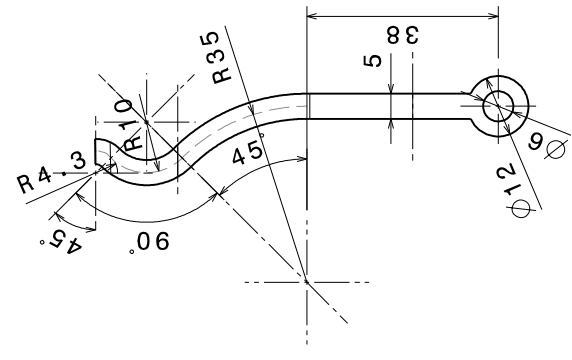
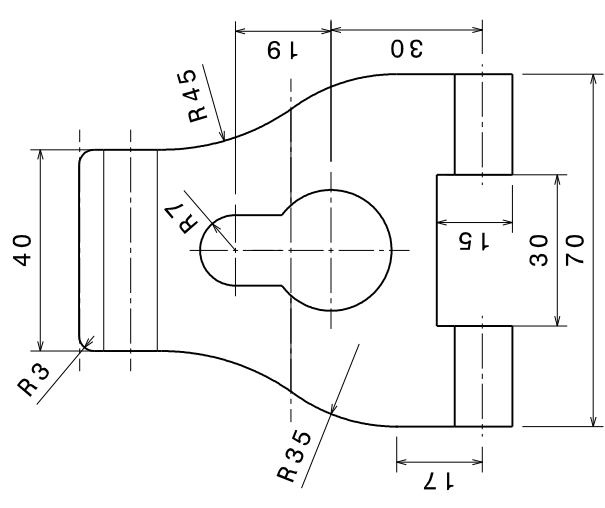


Isometric view  
Scale: 1:1




Left view  
Scale: 1:1



Front view  
Scale: 1:1

All practice drawings and video tutorials are available at [WWW.CADESIGNS.IN](http://WWW.CADESIGNS.IN)

 <b>CAD DESIGNS</b>		DRAWING TITLE		1	
		DRAWN BY	DATE	SIZE	DRAWING NUMBER
CHECKED BY		DATE	A3		
DESIGNED BY		DATE	SCALE	1:1	WEIGHT (kg) 0.00
			SHEET	1/1	

