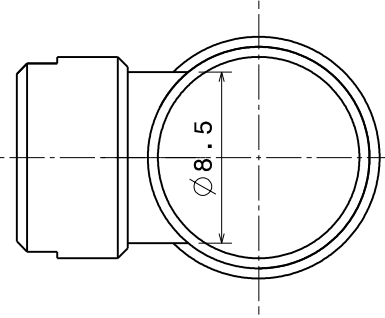
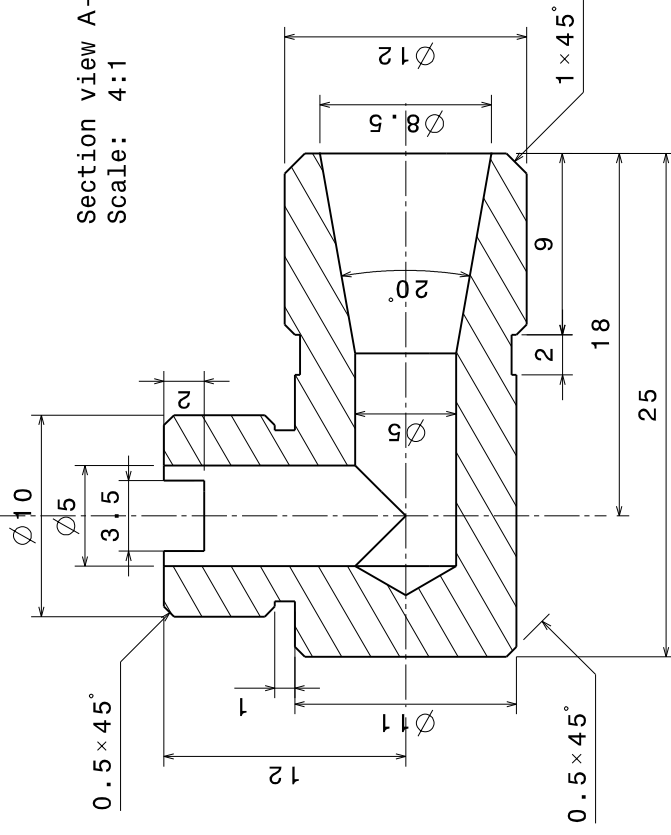
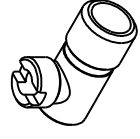


H G F E D C B A

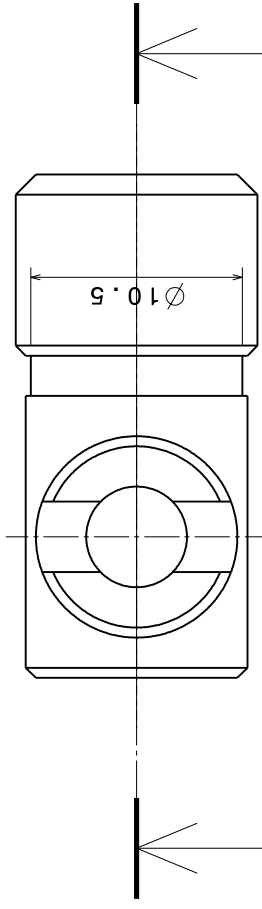
Section view A-A  
Scale: 4:1



Auxiliary view B  
Scale: 4:1



Isometric view  
Scale: 1:1



Front view  
Scale: 4:1

All practice drawings and video tutorials are available at [WWW.CADDESIGNS.IN](http://WWW.CADDESIGNS.IN)

		DRAWING TITLE	
DRAWN BY	DATE	SIZE	DRAWING NUMBER
CHECKED BY	DATE	A3	REV
DESIGNED BY	DATE	SCALE	1:1 WEIGHT (kg) 0.00
		SHEET	1/1

H G F E D C B A