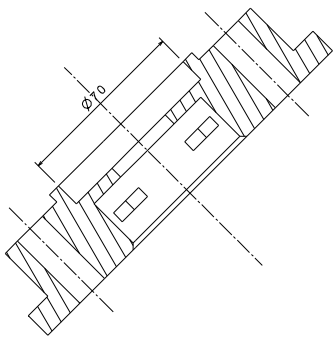
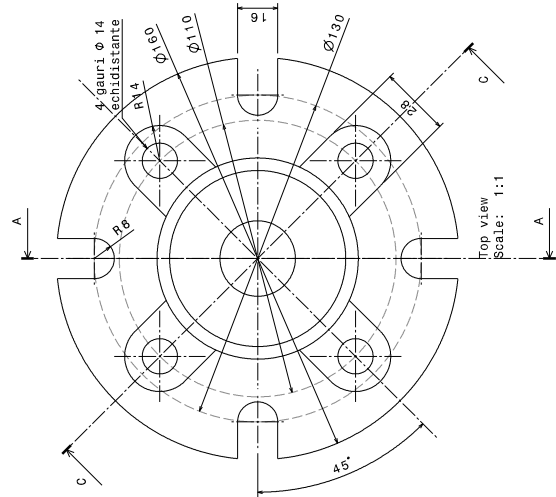


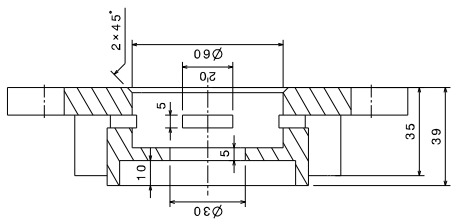
Auxiliary view B  
Scale: 1:1



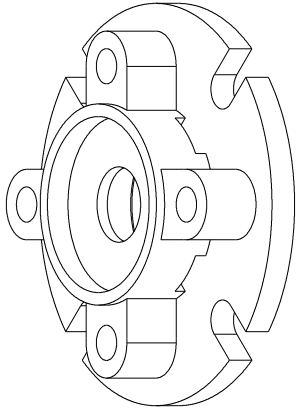
Section view C-C  
Scale: 1:1



Top view  
Scale: 1:1



Section view A-A  
Scale: 1:1



Isometric view  
Scale: 1:1

All practice drawings and video tutorials are available at  
[WWW.CADDESIGNS.IN](http://WWW.CADDESIGNS.IN)

DRAWING TITLE		DRAWN BY	DATE	REVISION	
		CHECKED BY	DATE	SIZE	DRAWING NUMBER
SCALE: 1:1   WEIGHT (kg)		DESIGNED BY	DATE	A1	REV
				SHEET	1/1

A	B	C	D	E	F	G	H	I	J	K	L	M	N	O	P
---	---	---	---	---	---	---	---	---	---	---	---	---	---	---	---