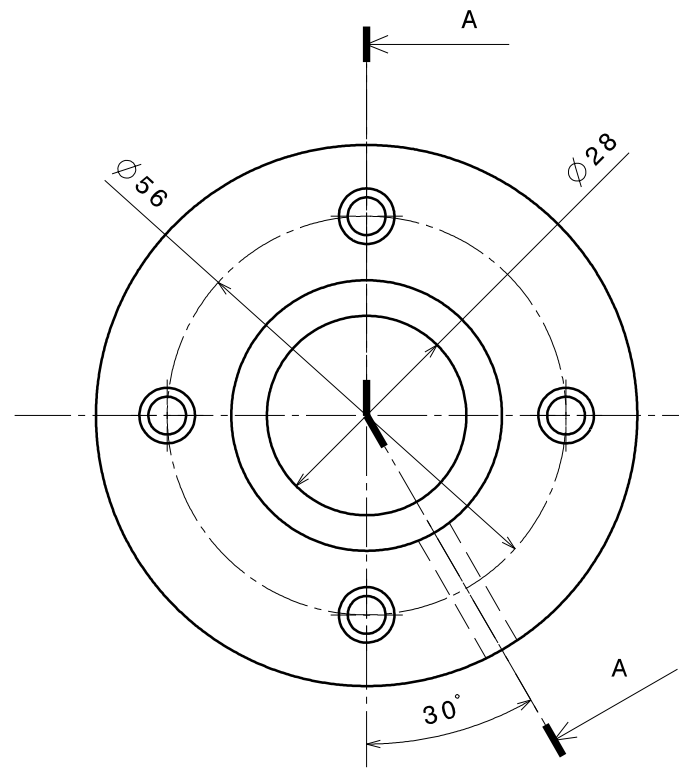


Section view A-A  
Scale: 1:1



Front view  
Scale: 1:1

All practice drawings and video tutorials are available at [WWW.CADDESIGNS.IN](http://WWW.CADDESIGNS.IN)



		<b>CAD DESIGNS</b>			
		DRAWING TITLE			
DRAWN BY	DATE				
CHECKED BY	DATE	SIZE	DRAWING NUMBER	REV	
DESIGNED BY	DATE	A4	EDST 1	X	
		SCALE	1:1	WEIGHT (kg)	0.00
				SHEET	1/1